



## ADM-2118AR

Rack Mount 18.5-inch Projected Capacitive Touch Display



### Features

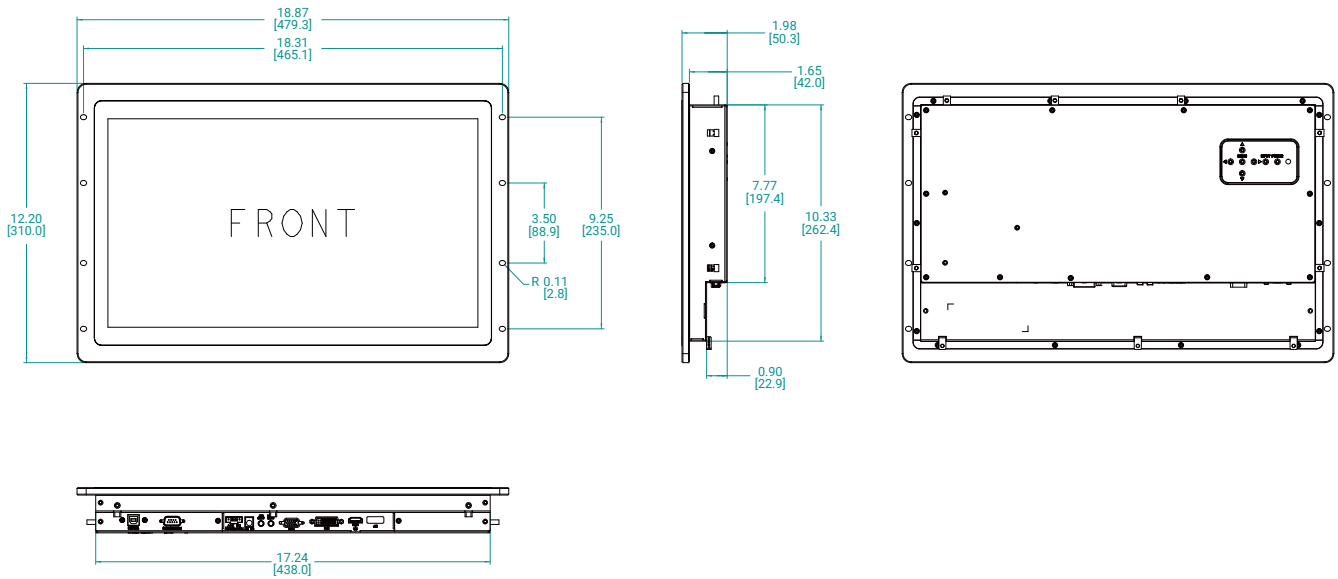
- 18.5" LCD, 1366 x 768/ 1920 x 1080
- Flush Bezel Panel Mount Design
- NEMA 4/4X Front Bezel
- Aluminum or Stainless-Steel Bezel
- VGA, DVI, HDMI, DP Input
- Projected Capacitive Touch
- USB Touch Interface
- 24VDC Operating Voltage
- Very High Bright Option Available

### Specifications

Model Name	ADM-2118AR
<b>LCD Display</b>	
Display Size (Diagonal)	18.5"
Max Resolution	1920 x 1080
Backlight Lifetime (Hours)	50,000 hours
<b>Visual Characteristics</b>	
Colors	16.7 million
Aspect Ratio	16:9
Viewing Angle (V/H)	178° / 178°
Contrast Ratio	1000:1
Brightness	350 nits (1000 nits* Very High Brightness Version)
<b>Input Interface</b>	
VGA	x 1
DVI	x 1
LVDS	x 1
Display Port	x 1
CVBS	N/A
YPbPr	N/A
<b>Touchscreen</b>	
Technology	Projected Capacitive
Interface	USB
Driver	Win 7, Win10
<b>Front Bezel</b>	
NEMA 4	Black Powder Coated
NEMA 4X	Stainless Steel (Optional)
<b>Power/Thermal Specs</b>	
Power Requirement (Max)	12VDC / 0.80A, 24VDC / 0.41A
Power Consumption (Max)	9.8 W
Recommended Power Supply	14 W
Heat Dissipation	34 BTU/hr
<b>Physical Information</b>	
Mounting	Rack Mount
Net Weight	17.6 lbs / 8 kg
Dimension (W x H x D)	18.87 x 12.20 x 1.98 inch 479.3 x 310 x 50.25 mm
Recommended Cutout Dimension (WxH)	17.41 x 11.00 inch 442.2 x 279.4 mm
<b>Environmental</b>	
Operating Temperature	0~50°C (32~122°F), * VHB Version 0~35°C (32~95°F)
Storage Temperature	-20~60°C (-4~140°F)
Humidity	5% to 95% (non-condensing)
Rating	Bezel Meets NEMA 4 / NEMA 4X requirements
Certification	N/A

## Dimension Drawing

Model Name: ADM-2118AR  
Size Unit: inch(mm)



## Ordering Information

Item	ADM-2118AR-001
LCD Display	18.5" LCD / 1366 x 768
Touch Screen	Projected Capacitive
Bezel	Black Powder Coated
Power Supply	110/220VAC Power Adaptor

Item	ADM-2118AR-A01-001
LCD Display	18.5" LCD / 1920 x 1080
Touch Screen	Projected Capacitive
Bezel	Black Powder Coated
Power Supply	110/220VAC Power Adaptor